

## SN74AUP1T34 1-Bit Unidirectional Voltage-Level Translator

### 1 Features

- Wide Operating VCC Range of 0.9 V to 3.6 V
- Balanced Propagation Delays:  $t_{PLH} = t_{PHL}$  (1.8-V to 3.3-V Translation Typical)
- Low Static-Power Consumption: Maximum of 5- $\mu$ A ICC
- $\pm 6$ -mA Output Drive at 3 V
- $I_{off}$  Supports Partial Power-Down-Mode Operation
- VCC Isolation Feature – If  $V_{CCA}$  Input Is at GND, B Port Is in the High-Impedance state
- Input Hysteresis Allows Slow Input Transition and Better Switching Noise Immunity at Input
- ESD Protection Exceeds JESD 22
- 5000-V Human-Body Model (A114-A)
- Latch-Up Performance Exceeds 100 mA Per JESD 78, Class II

### 2 Applications

- Enterprise
- Industrial
- Personal Electronics
- Telecommunications

### 3 Description

The SN74AUP1T34 device is a 1-bit noninverting translator that uses two separate configurable power-supply rails. It is a uni-directional translator from A to B. The A port is designed to track  $V_{CCA}$ .  $V_{CCA}$  accepts supply voltages from 0.9 V to 3.6 V. The B port is designed to track  $V_{CCB}$ .  $V_{CCB}$  accepts supply voltages from 0.9 V to 3.6 V. This allows for low-voltage translation between 1-V, 1.2-V, 1.5-V, 1.8-V, 2.5-V, and 3.3-V voltage nodes. The SN74AUP1T34 is also fully specified for partial-power-down applications using  $I_{off}$ . The  $I_{off}$  circuitry disables the outputs, preventing damaging current backflow through the device when it is powered down.

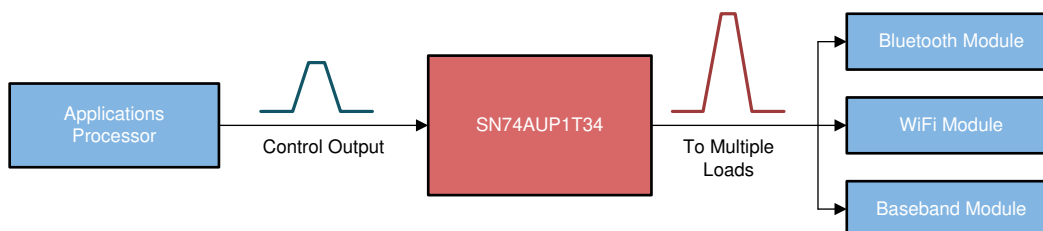
The VCC isolation feature ensures that if  $V_{CCA}$  input is at GND, the B port is in the high-impedance state. If  $V_{CCB}$  input is at GND, any input to the A side does not cause the leakage current even floating.

#### Device Information<sup>(1)</sup>

PART NUMBER	PACKAGE	BODY SIZE (NOM)
SN74AUP1T34DCK	SC70 (5)	2.00 mm x 1.25 mm
SN74AUP1T34DRY	SON (6)	1.45 mm x 1.00 mm
SN74AUP1T34DSF	SON (6)	1.00 mm x 1.00 mm

(1) For all available packages, see the orderable addendum at the end of the data sheet.

#### Example Application



## Table of Contents

<b>1 Features</b> .....	<b>1</b>	8.3 Feature Description .....	<b>12</b>
<b>2 Applications</b> .....	<b>1</b>	8.4 Device Functional Modes .....	<b>12</b>
<b>3 Description</b> .....	<b>1</b>	<b>9 Application and Implementation</b> .....	<b>13</b>
<b>4 Revision History</b> .....	<b>2</b>	9.1 Application Information .....	<b>13</b>
<b>5 Pin Configuration and Functions</b> .....	<b>4</b>	9.2 Typical Application .....	<b>13</b>
<b>6 Specifications</b> .....	<b>5</b>	<b>10 Power Supply Recommendations</b> .....	<b>15</b>
6.1 Absolute Maximum Ratings .....	<b>5</b>	<b>11 Layout</b> .....	<b>15</b>
6.2 ESD Ratings .....	<b>5</b>	11.1 Layout Guidelines .....	<b>15</b>
6.3 Recommended Operating Conditions .....	<b>6</b>	11.2 Layout Example .....	<b>15</b>
6.4 Thermal Information .....	<b>6</b>	<b>12 Device and Documentation Support</b> .....	<b>16</b>
6.5 Electrical Characteristics: DC .....	<b>7</b>	12.1 Support Resources .....	<b>16</b>
6.6 Electrical Characteristics: AC .....	<b>8</b>	12.2 Trademarks .....	<b>16</b>
6.7 Typical Characteristics .....	<b>11</b>	12.3 Electrostatic Discharge Caution .....	<b>16</b>
<b>7 Parameter Measurement Information</b> .....	<b>11</b>	12.4 Glossary .....	<b>16</b>
<b>8 Detailed Description</b> .....	<b>12</b>	<b>13 Mechanical, Packaging, and Orderable Information</b> .....	<b>16</b>
8.1 Overview .....	<b>12</b>	13.1 Package Option Addendum .....	<b>17</b>
8.2 Functional Block Diagram .....	<b>12</b>		

## 4 Revision History

NOTE: Page numbers for previous revisions may differ from page numbers in the current version.

<b>Changes from Revision E (June 2016) to Revision F</b>	<b>Page</b>
• Added operating junction temperature to <i>Absolute Maximum Ratings</i> table .....	<b>5</b>
• Updated <i>Recommended Operating Conditions</i> table .....	<b>6</b>
• Updated the $V_{CCB}$ value for the parameter 'high-level input voltage' in the <i>Recommended Operating Conditions</i> table .....	<b>6</b>
• Updated the $V_{CCB}$ value for the parameter 'low-level input voltage' in the <i>Recommended Operating Conditions</i> table .....	<b>6</b>
• Added <i>Electrical Characteristics: DC</i> table .....	<b>7</b>

<b>Changes from Revision D (April 2016) to Revision E</b>	<b>Page</b>
• Changed pin A number From: 3 To: 2 and GND From: 2 To: 3 for the SC70 package in the <i>Pin Configuration and Functions</i> section .....	<b>4</b>

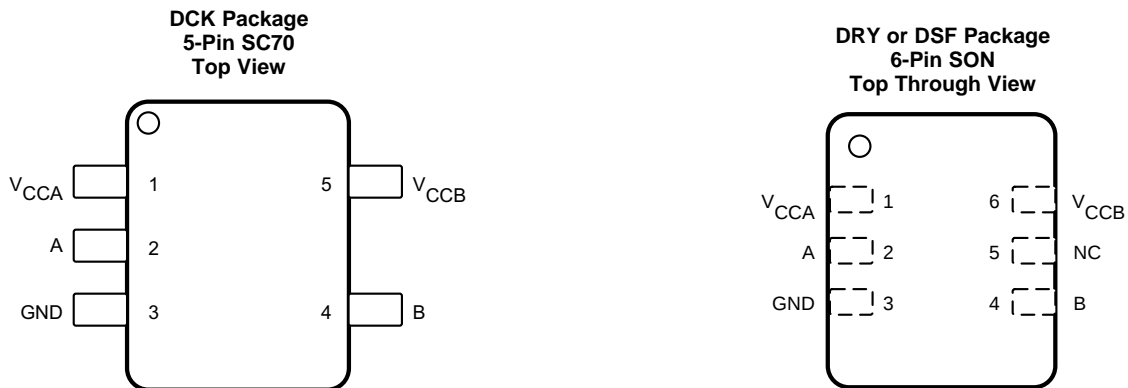
<b>Changes from Revision C (May 2013) to Revision D</b>	<b>Page</b>
• Added <i>ESD Ratings</i> table, <i>Feature Description</i> section, <i>Device Functional Modes</i> , <i>Application and Implementation</i> section, <i>Power Supply Recommendations</i> section, <i>Layout</i> section, <i>Device and Documentation Support</i> section, and <i>Mechanical, Packaging, and Orderable Information</i> section .....	<b>1</b>
• Removed <i>Ordering Information</i> table .....	<b>1</b>

<b>Changes from Revision B (July 2012) to Revision C</b>	<b>Page</b>
• Added Feature: VCC Isolation Feature – If $V_{CCA}$ Input Is at GND, B Port Is in the High-Impedance state. ....	<b>1</b>
• Updated <i>Pin Functions</i> table. ....	<b>4</b>
• Deleted $I_{OZ}$ PARAMETER from RECOMMENDED OPERATION CONDITIONS. ....	<b>6</b>
• Added $V_{MI}$ and $V_{MO}$ equations to Waveform 1 graphic .....	<b>10</b>
• Added FUNCTION TABLE. ....	<b>12</b>

**Changes from Revision A (June 2012) to Revision B****Page**

- 
- Removed Feature: Output Enable Feature Allows User to Disable Outputs to Reduce Power Consumption. .... 1
-

## 5 Pin Configuration and Functions



### Pin Functions

NAME	PIN		I/O	DESCRIPTION
	SC70	SON		
A	2	2	I	Input Port
B	4	4	O	Output Port
GND	3	3	—	Ground
V <sub>CCA</sub>	1	1	—	Input Port DC Power Supply
V <sub>CCB</sub>	5	6	—	Output Port DC Power Supply
NC	—	5	—	No Connect. Leave floating.

## 6 Specifications

### 6.1 Absolute Maximum Ratings

over operating free-air temperature range (unless otherwise noted)

		MIN	MAX	UNIT
Supply voltage, $V_{CCA}$ and $V_{CCB}$		-0.3	4	V
Input voltage, $V_I$		-0.5	4.6	V
		-0.5	4.6	
		-0.5	4.6	
Voltage applied to any output in the high-impedance or power-off state, $V_O$		-0.5	4.6	V
		-0.5	4.6	
Voltage applied to any output in the high or low state, $V_O$		-0.5	4.6	V
		-0.5	4.6	
Input clamp current, $I_{IK}$	$V_I < 0\text{ V}$		-50	mA
Output clamp current, $I_{OK}$	$V_O < 0\text{ V}$		-50	mA
Continuous output current, $I_O$			±50	mA
Continuous current through $V_{CCA}$ or GND			±100	mA
Storage temperature, $T_{stg}$		-65	150	°C
Operating junction temperature, $T_J$			150	°C

### 6.2 ESD Ratings

		VALUE	UNIT
$V_{(ESD)}$ Electrostatic discharge	Human-body model (HBM), per ANSI/ESDA/JEDEC JS-001 <sup>(1)</sup>	5000	V
	Charged-device model (CDM), per JEDEC specification JESD22-C101 <sup>(2)</sup>	750	

(1) JEDEC document JEP155 states that 500-V HBM allows safe manufacturing with a standard ESD control process.

(2) JEDEC document JEP157 states that 250-V CDM allows safe manufacturing with a standard ESD control process.

### 6.3 Recommended Operating Conditions

over operating free-air temperature range (unless otherwise noted)

			MIN	NOM	MAX	UNIT	
V <sub>CCA</sub>	Supply voltage		0.9		3.6	V	
V <sub>CCB</sub>	Supply voltage		0.9		3.6	V	
V <sub>IH</sub>	High-level input voltage	V <sub>CCA</sub> = 0.9 V to 1.95 V	V <sub>CCB</sub> = 0.9 V to 3.6 V		0.65 × V <sub>CCA</sub>	V	
		V <sub>CCA</sub> = 2.3 V to 2.7 V	V <sub>CCB</sub> = 0.9 V to 3.6 V		1.6		
		V <sub>CCA</sub> = 3 V to 3.6 V	V <sub>CCB</sub> = 0.9 V to 3.6 V		2		
V <sub>IH</sub>	Low-level input voltage	V <sub>CCA</sub> = 0.9 V	V <sub>CCB</sub> = 0.9 V to 3.6 V		0.3 × V <sub>CCA</sub>	V	
		V <sub>CCA</sub> = 1 V to 1.95 V	V <sub>CCB</sub> = 0.9 V to 3.6 V		0.35 × V <sub>CCA</sub>		
		V <sub>CCA</sub> = 2.3 V to 2.7 V	V <sub>CCB</sub> = 0.9 V to 3.6 V		0.7		
		V <sub>CCA</sub> = 3 V to 3.6 V	V <sub>CCB</sub> = 0.9 V to 3.6 V		0.9		
Δt/Δv	Input transition rise or fall rate	V <sub>CCA</sub> = 3 V to 3.6 V	V <sub>CCB</sub> = 0.9 V to 3.6 V		200	ns/V	
T <sub>A</sub>	Operating free-air temperature				–40	85	°C

### 6.4 Thermal Information

THERMAL METRIC <sup>(1)</sup>	SN74AUP1T34			UNIT	
	DCK (SC70)	DRY (SON)	DSF (SON)		
	5 PINS	6 PINS	6 PINS		
R <sub>θJA</sub>	Junction-to-ambient thermal resistance	300.8	338.5	367.1	°C/W
R <sub>θJC(top)</sub>	Junction-to-case (top) thermal resistance	141.3	240.4	188.8	°C/W
R <sub>θJB</sub>	Junction-to-board thermal resistance	77.3	224.6	274.6	°C/W
ψ <sub>JT</sub>	Junction-to-top characterization parameter	12.6	86.8	24.1	°C/W
ψ <sub>JB</sub>	Junction-to-board characterization parameter	76.5	221.4	273.1	°C/W

(1) For more information about traditional and new thermal metrics, see the [Semiconductor and IC Package Thermal Metrics](#) application report.

## 6.5 Electrical Characteristics: DC

over operating free-air temperature range (unless otherwise noted)

PARAMETER	TEST CONDITIONS	V <sub>CCA</sub>	V <sub>CCB</sub>	MIN	MAX	UNIT
V <sub>OH</sub> High-level output voltage	V <sub>I</sub> = V <sub>IH</sub>	I <sub>OH</sub> = -100 μA	0.9 V to 3.6 V	0.9 V to 3.6 V	V <sub>CCB</sub> - 0.2	V
		I <sub>OH</sub> = -0.25 mA	0.9 V to 1 V	0.9 V to 1 V	0.75 × V <sub>CCB</sub>	
		I <sub>OH</sub> = -1.5 mA	1.2 V	1.2 V	1	
		I <sub>OH</sub> = -2 mA	1.65 V	1.65 V	1.32	
		I <sub>OH</sub> = -3 mA	2.3 V	2.3 V	1.9	
		I <sub>OH</sub> = -6 mA	3 V	3 V	2.72	
V <sub>OL</sub> Low-level output voltage	V <sub>I</sub> = V <sub>IL</sub>	I <sub>OL</sub> = 100 μA	0.9 V to 3.6 V	0.9 V to 3.6 V	0.1	V
		I <sub>OL</sub> = 0.25 mA	0.9 V to 1 V	0.9 V to 1 V	0.1	
		I <sub>OL</sub> = 1.5 mA	1.2 V	1.2 V	0.3 × V <sub>CCB</sub>	
		I <sub>OL</sub> = 2 mA	1.65 V	1.65 V	0.31	
		I <sub>OL</sub> = 3 mA	2.3 V	2.3 V	0.31	
		I <sub>OL</sub> = 6 mA	3 V	3 V	0.31	
I <sub>I</sub> Input leakage current	V <sub>I</sub> = V <sub>CCA</sub> or GND	0.9 V to 3.6 V	0.9 V to 3.6 V		±1	μA
I <sub>off</sub> Off-state current	A or B port: V <sub>I</sub> or V <sub>O</sub> = 0 to 3.6 V	0 V	0 V to 3.6 V		±5	μA
		0 V to 3.6 V	0 V		±5	
I <sub>CCA</sub> V <sub>CCA</sub> supply current	V <sub>I</sub> = V <sub>CCI</sub> or GND, I <sub>O</sub> = 0 mA	0.9 V to 3.6 V	0.9 V to 3.6 V		5	μA
		0.9 V to 3.6 V	V <sub>CCA</sub>		2	
		0 V	0 V to 3.6 V		1	
		0 V to 3.6 V	0 V		1	
I <sub>CCB</sub> V <sub>CCB</sub> supply current	V <sub>I</sub> = V <sub>CCI</sub> or GND, I <sub>O</sub> = 0 mA	0.9 V to 3.6 V	0.9 V to 3.6 V		5	μA
		0.9 V to 3.6 V	V <sub>CCA</sub>		2	
		0 V	0 V to 3.6 V		1	
		0 V to 3.6 V	0 V		1	
I <sub>CCA</sub> + I <sub>CCB</sub> Combined supply current	V <sub>I</sub> = V <sub>CCI</sub> or GND, I <sub>O</sub> = 0 mA	0.9 V to 3.6 V	0.9 V to 3.6 V		5.2	μA
C <sub>I</sub> Input capacitance	V <sub>I</sub> = 3.3 V or GND	3.3 V	3.3 V		4	pF
C <sub>I/O</sub> Input-to-output internal capacitance	A or B port: V <sub>O</sub> = 3.3 V or GND	0 V	3.3 V		7	pF

### 6.6 Electrical Characteristics: AC

over operating free-air temperature range (unless otherwise noted)

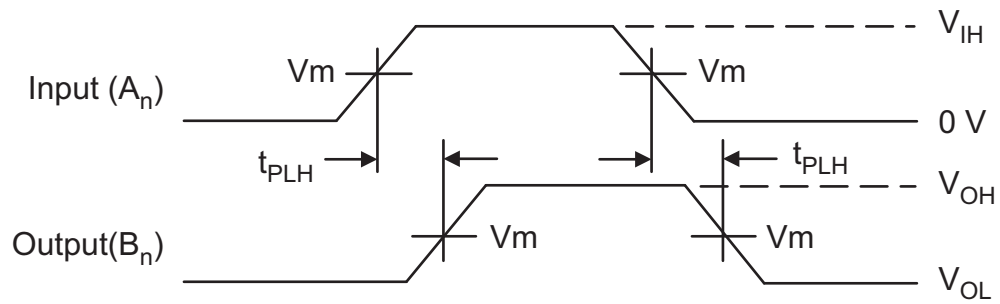
PARAMETER	TEST CONDITIONS	V <sub>CCA</sub>	V <sub>CCB</sub>	MIN	TYP	MAX	UNIT	
t <sub>PLH</sub> /t <sub>PHL</sub> Propagation delay time low-to-high output / high-to-low output	C <sub>L</sub> = 5 pF	0.9 V	0.9 V		25		ns	
			1.2 V		18			
			1.65 V		16.2			
			2.3 V		16.3			
			3 V		16.8			
	C <sub>L</sub> = 5 pF	1.2 V	0.9 V			42.5		
			1.2 V			24.9		
			1.65 V			23.2		
			2.3 V			22.6		
			3 V			22.5		
	C <sub>L</sub> = 5 pF	1.65 V	0.9 V			40		
			1.2 V			10.7		
			1.65 V			8.84		
			2.3 V			8.08		
			3 V			7.88		
	C <sub>L</sub> = 5 pF	2.3 V	0.9 V			41.3		
			1.2 V			8.02		
			1.65 V			5.73		
			2.3 V			4.92		
			3 V			4.2		
C <sub>L</sub> = 5 pF	3 V	0.9 V			42.5			
		1.2 V			7.61			
		1.65 V			4.5			
		2.3 V			3.65			
		3 V			3.39			
t <sub>PLH</sub> /t <sub>PHL</sub> Propagation delay time low-to-high output / high-to-low output	C <sub>L</sub> = 10 pF	0.9 V	0.9 V		28.9		ns	
			1.2 V		19.8			
			1.65 V		17.9			
			2.3 V		18			
			3 V		18.5			
	C <sub>L</sub> = 10 pF	1.2 V	0.9 V			43.22		
			1.2 V			12.33		
			1.65 V			9.57		
			2.3 V			8.81		
			3 V			8.61		
	C <sub>L</sub> = 10 pF	1.65 V	0.9 V			40.44		
			1.2 V			9.21		
			1.65 V			6.57		
			2.3 V			5.5		
			3 V			4.73		
	C <sub>L</sub> = 10 pF	2.3 V	0.9 V			41.56		
			1.2 V			8.3		
			1.65 V			5.54		
			2.3 V			4.42		
			3 V			4.01		
C <sub>L</sub> = 10 pF	3 V	0.9 V			42.81			
		1.2 V			7.87			
		1.65 V			4.55			
		2.3 V			3.8			
		3 V			3.36			



**Electrical Characteristics: AC (continued)**

over operating free-air temperature range (unless otherwise noted)

PARAMETER	TEST CONDITIONS	V <sub>CCA</sub>	V <sub>CCB</sub>	MIN	TYP	MAX	UNIT	
$t_{PLH}/t_{PHL}$ Propagation delay time low-to-high output / high-to-low output	C <sub>L</sub> = 15 pF	0.9 V	0.9 V		30.6		ns	
			1.2 V		21.6			
			1.65 V		19.6			
			2.3 V		19.7			
			3 V		20.3			
	C <sub>L</sub> = 15 pF	1.2 V	0.9 V					43.87
			1.2 V					12.98
			1.65 V					10.3
			2.3 V					9.54
			3 V					9.34
	C <sub>L</sub> = 15 pF	1.65 V	0.9 V					40.78
			1.2 V					9.59
			1.65 V					6.95
			2.3 V					5.87
			3 V					5.07
	C <sub>L</sub> = 15 pF	2.3 V	0.9 V					41.79
			1.2 V					8.55
			1.65 V					5.8
			2.3 V					4.68
			3 V					4.27
C <sub>L</sub> = 15 pF	3 V	0.9 V				43.09		
		1.2 V				8.16		
		1.65 V				4.84		
		2.3 V				4.09		
		3 V				3.65		
$t_{PLH}/t_{PHL}$ Propagation delay time low-to-high output / high-to-low output	C <sub>L</sub> = 30 pF	0.9 V	0.9 V		32.1		ns	
			1.2 V		21.3			
			1.65 V		18.7			
			2.3 V		18			
			3 V		18.3			
	C <sub>L</sub> = 30 pF	1.2 V	0.9 V					45.65
			1.2 V					14.76
			1.65 V					12.37
			2.3 V					11.61
			3 V					11.41
	C <sub>L</sub> = 30 pF	1.65 V	0.9 V					41.72
			1.2 V					10.65
			1.65 V					8.01
			2.3 V					6.94
			3 V					5.99
	C <sub>L</sub> = 30 pF	2.3 V	0.9 V					42.44
			1.2 V					9.26
			1.65 V					6.51
			2.3 V					5.39
			3 V					4.97
C <sub>L</sub> = 30 pF	3 V	0.9 V				43.69		
		1.2 V				8.8		
		1.65 V				5.48		
		2.3 V				4.72		
		3 V				4.28		



$$V_{MI} = V_{IH}/2; V_{MO} = V_{CCB}/2$$

$$t_R = t_F = 2.0 \text{ ns, } 10\% \text{ to } 90\%; f = 1 \text{ MHz; } t_W = 500 \text{ ns}$$

**Figure 1. Waveform 1 – Propagation Delays**

### 6.7 Typical Characteristics

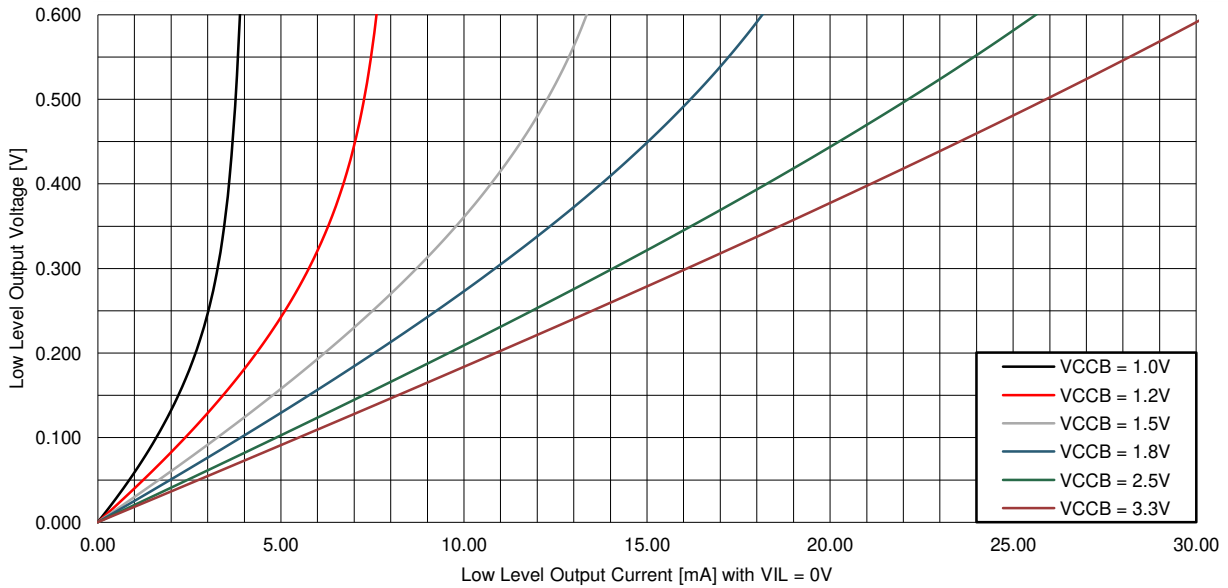
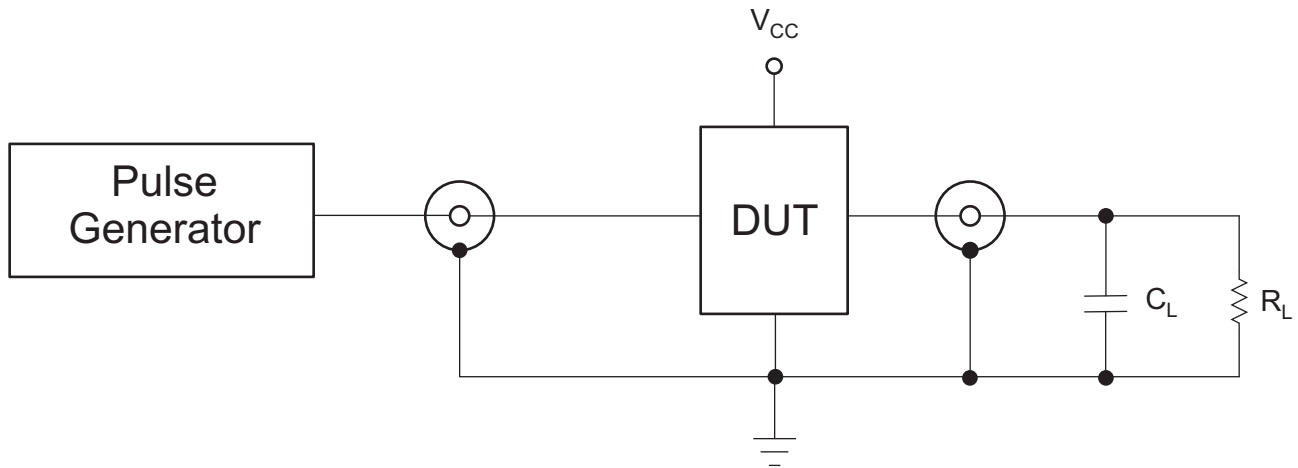


Figure 2. Low Level Output Voltage vs Low Level Output Current

### 7 Parameter Measurement Information



#### TEST

$t_{PLH}$ ,  $t_{PHL}$

$C_L$  = 5 pF, 10 pF, 15 pF, 30 pF or equivalent (includes probe and jig capacitance)

$R_L$  = 1 M $\Omega$  or equivalent

$Z_{OUT}$  of pulse generator = 50  $\Omega$

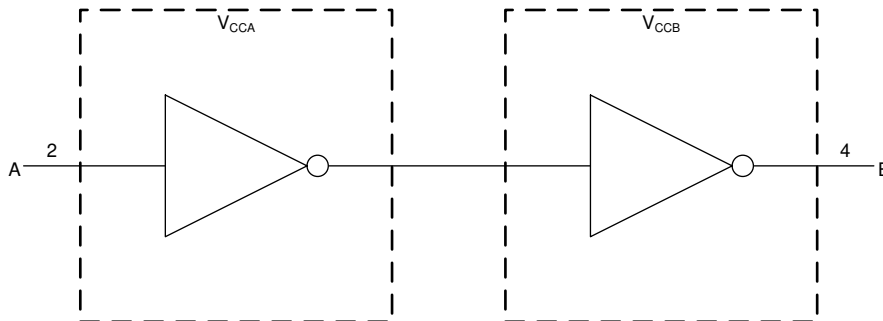
Figure 3. AC (Propagation Delay) Test Circuit

## 8 Detailed Description

### 8.1 Overview

The SN74AUP1T34 is a unidirectional, single-bit, dual-supply, noninverting voltage-level translator. Pin A, which is referenced to  $V_{CCA}$ , receives the signal that is to be level translated. Pin B, which is referenced to  $V_{CCB}$ , transmits the level translated signal. Both supply pins  $V_{CCA}$  and  $V_{CCB}$  support a voltage range from 0.9 V to 3.6 V.

### 8.2 Functional Block Diagram



### 8.3 Feature Description

#### 8.3.1 Fully Configurable Dual-Rail Design

Both  $V_{CCA}$  and  $V_{CCB}$  can be supplied at any voltage from 0.9 V to 3.6 V, making the device suitable for translating between any of the voltage nodes (1 V, 1.2 V, 1.8 V, 2.5 V, and 3.3 V).

#### 8.3.2 Partial-Power-Down Mode Operation

$I_{off}$  circuitry disables the outputs, preventing damaging current backflow through the SN74AUP1T34 when it is powered down. This can occur in applications where subsections of a system are powered down (partial-power-down) to reduce power consumption.

#### 8.3.3 $V_{CC}$ Isolation

The  $V_{CC}$  isolation feature ensures that if either  $V_{CCA}$  or  $V_{CCB}$  are at GND (or  $< 0.4$  V), both ports A and B are set to a high-impedance state, preventing false logic levels from being presented to either bus.

#### 8.3.4 Input Hysteresis

Input hysteresis allows the input to support slew rates as slow as 200 ns/V, improving switching noise immunity.

### 8.4 Device Functional Modes

Table 1 lists the functional modes of the SN74AUP1T34.

Table 1. Function Table

INPUT	OUTPUT
A PORT	B PORT
L	L
H	H

## 9 Application and Implementation

### NOTE

Information in the following applications sections is not part of the TI component specification, and TI does not warrant its accuracy or completeness. TI's customers are responsible for determining suitability of components for their purposes. Customers should validate and test their design implementation to confirm system functionality.

### 9.1 Application Information

The SN74AUP1T34 can be used in level-translation applications for interfacing devices or systems operating at different interface voltages with one another.

### 9.2 Typical Application

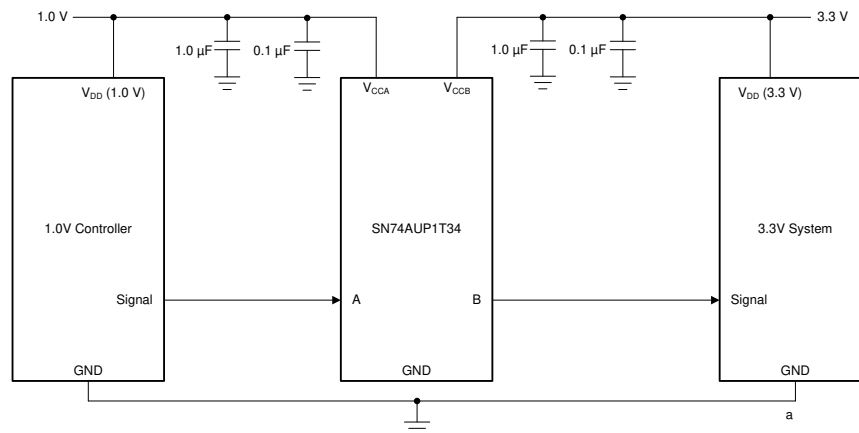


Figure 4. Typical Application Example

#### 9.2.1 Design Requirements

Table 2 lists the design requirements of the SN74AUP1T34.

Table 2. Design Parameters

DESIGN PARAMETER	EXAMPLE VALUE
Input Voltage Range	0.9 V to 3.6 V
Output Voltage Range	0.9 V to 3.6 V

#### 9.2.2 Detailed Design Procedure

To begin the design process, determine the following:

- Input voltage range
  - Use the supply voltage of the device that is driving the SN74AUP1T34 device to determine the input voltage range. For a valid logic-high, the value must exceed the  $V_{IH}$  of the input port. For a valid logic low the value must be less than the  $V_{IL}$  of the input port.
- Output voltage range
  - Use the supply voltage of the device that the SN74AUP1T34 device is driving to determine the output voltage range.

9.2.3 Application Curve

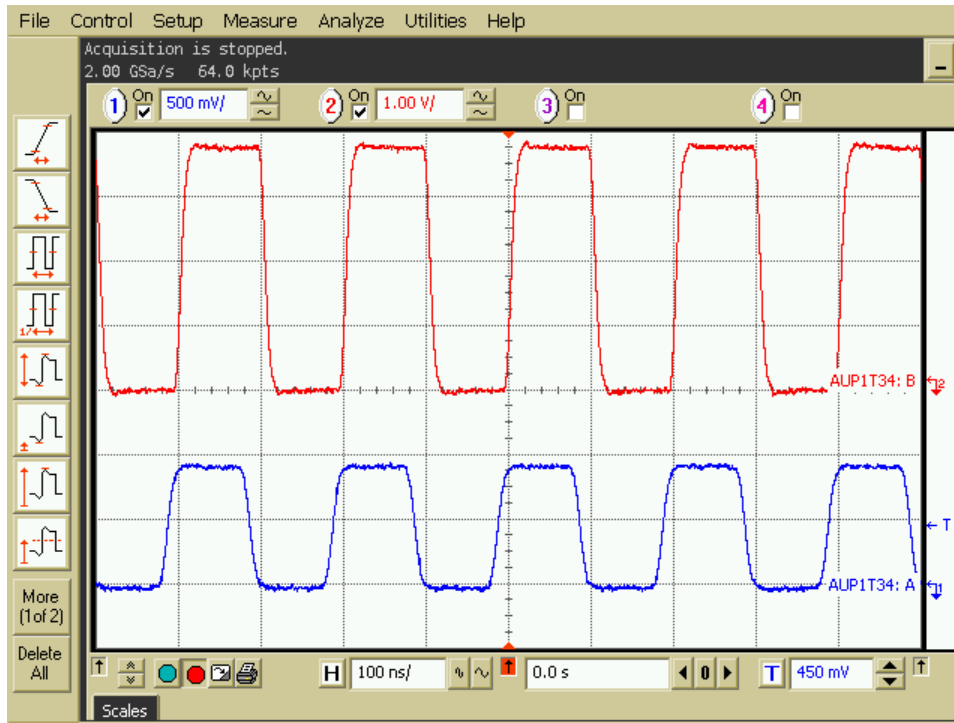


Figure 5. 10-MHz Up Translation (0.9 V to 3.6 V)

## 10 Power Supply Recommendations

Connect ground before applying either  $V_{CCA}$  or  $V_{CCB}$ . There is no specific power sequence requirement for the SN74AUP1T34.  $V_{CCA}$  or  $V_{CCB}$  may be powered up first, and  $V_{CCA}$  or  $V_{CCB}$  may be powered down first.

## 11 Layout

### 11.1 Layout Guidelines

To ensure reliability of the device, TI recommends following common printed-circuit board layout guidelines is recommended.

- Bypass capacitors must be used on power supplies.
- Short trace lengths must be used to avoid excessive loading.
- Placing pads on the signal paths for loading capacitors or pullup resistors helps adjust rise and fall times of signals depending on the system requirements.

### 11.2 Layout Example

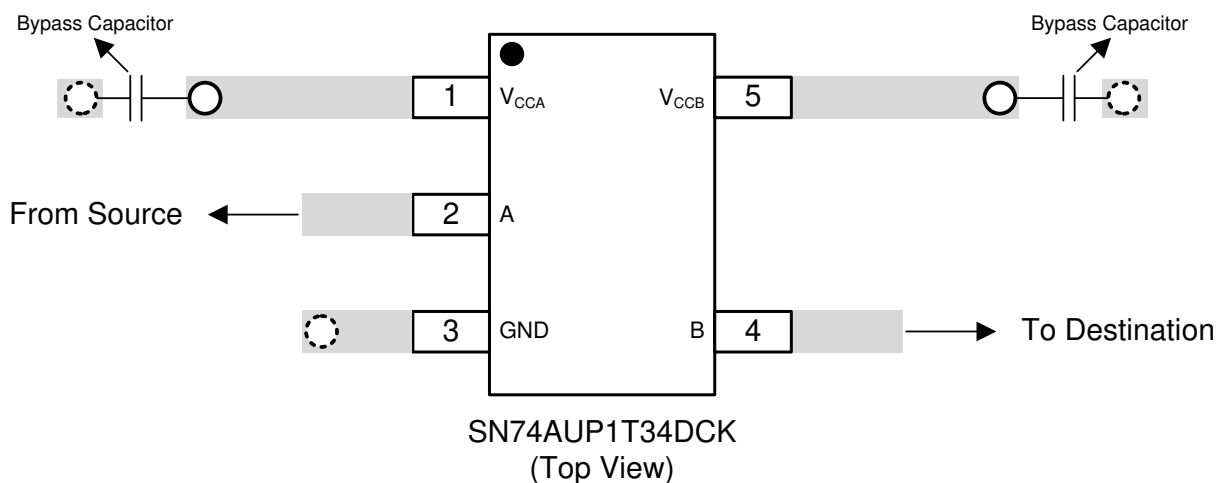
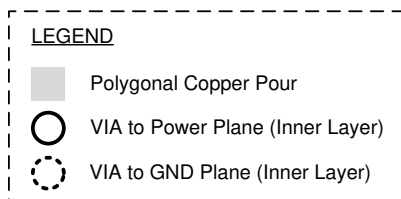


Figure 6. Example Layout

## 12 Device and Documentation Support

### 12.1 Support Resources

TI E2E™ support forums are an engineer's go-to source for fast, verified answers and design help — straight from the experts. Search existing answers or ask your own question to get the quick design help you need.

Linked content is provided "AS IS" by the respective contributors. They do not constitute TI specifications and do not necessarily reflect TI's views; see TI's [Terms of Use](#).

### 12.2 Trademarks

E2E is a trademark of Texas Instruments.

All other trademarks are the property of their respective owners.

### 12.3 Electrostatic Discharge Caution



These devices have limited built-in ESD protection. The leads should be shorted together or the device placed in conductive foam during storage or handling to prevent electrostatic damage to the MOS gates.

### 12.4 Glossary

[SLYZ022](#) — *TI Glossary*.

This glossary lists and explains terms, acronyms, and definitions.

## 13 Mechanical, Packaging, and Orderable Information

The following pages include mechanical, packaging, and orderable information. This information is the most current data available for the designated devices. This data is subject to change without notice and revision of this document. For browser-based versions of this data sheet, refer to the left-hand navigation.



## 13.1 Package Option Addendum

### 13.1.1 Packaging Information

Orderable Device	Status <sup>(1)</sup>	Package Type	Package Drawing	Pins	Package Qty	Eco Plan <sup>(2)</sup>	Lead/Ball Finish <sup>(3)</sup>	MSL Peak Temp <sup>(4)</sup>	Op Temp (°C)	Device Marking <sup>(5)(6)</sup>
SN74AUP1T34DCKR	ACTIVE	SC70	DCK	5	3000	Green (RoHS & no Sb/Br)	CU NIPDAU	Level-1-260C-UNLIM	-40 to 85	U2Q, U2E
SN74AUP1T34DRYR	ACTIVE	SON	DRY	6	5000	Green (RoHS & no Sb/Br)	CU NIPDAU	Level-1-260C-UNLIM	-40 to 85	U2
SN74AUP1T34DSFR	ACTIVE	SON	DSF	6	5000	Green (RoHS & no Sb/Br)	CU NIPDAU	Level-1-260C-UNLIM	-40 to 85	U2

- (1) The marketing status values are defined as follows:  
**ACTIVE:** Product device recommended for new designs.  
**LIFEBUY:** TI has announced that the device will be discontinued, and a lifetime-buy period is in effect.  
**NRND:** Not recommended for new designs. Device is in production to support existing customers, but TI does not recommend using this part in a new design.  
**PRE\_PROD** Unannounced device, not in production, not available for mass market, nor on the web, samples not available.  
**PREVIEW:** Device has been announced but is not in production. Samples may or may not be available.  
**OBSOLETE:** TI has discontinued the production of the device.
- (2) Eco Plan - The planned eco-friendly classification: Pb-Free (RoHS), Pb-Free (RoHS Exempt), or Green (RoHS & no Sb/Br) - please check <http://www.ti.com/productcontent> for the latest availability information and additional product content details.  
**TBD:** The Pb-Free/Green conversion plan has not been defined.  
**Pb-Free (RoHS):** TI's terms "Lead-Free" or "Pb-Free" mean semiconductor products that are compatible with the current RoHS requirements for all 6 substances, including the requirement that lead not exceed 0.1% by weight in homogeneous materials. Where designed to be soldered at high temperatures, TI Pb-Free products are suitable for use in specified lead-free processes.  
**Pb-Free (RoHS Exempt):** This component has a RoHS exemption for either 1) lead-based flip-chip solder bumps used between the die and package, or 2) lead-based die adhesive used between the die and leadframe. The component is otherwise considered Pb-Free (RoHS compatible) as defined above.  
**Green (RoHS & no Sb/Br):** TI defines "Green" to mean Pb-Free (RoHS compatible), and free of Bromine (Br) and Antimony (Sb) based flame retardants (Br or Sb do not exceed 0.1% by weight in homogeneous material)
- (3) Lead/Ball Finish - Orderable Devices may have multiple material finish options. Finish options are separated by a vertical ruled line. Lead/Ball Finish values may wrap to two lines if the finish value exceeds the maximum column width.
- (4) MSL, Peak Temp. -- The Moisture Sensitivity Level rating according to the JEDEC industry standard classifications, and peak solder temperature.
- (5) There may be additional marking, which relates to the logo, the lot trace code information, or the environmental category on the device
- (6) Multiple Device markings will be inside parentheses. Only one Device Marking contained in parentheses and separated by a "-" will appear on a device. If a line is indented then it is a continuation of the previous line and the two combined represent the entire Device Marking for that device.

**Important Information and Disclaimer:** The information provided on this page represents TI's knowledge and belief as of the date that it is provided. TI bases its knowledge and belief on information provided by third parties, and makes no representation or warranty as to the accuracy of such information. Efforts are underway to better integrate information from third parties. TI has taken and continues to take reasonable steps to provide representative and accurate information but may not have conducted destructive testing or chemical analysis on incoming materials and chemicals. TI and TI suppliers consider certain information to be proprietary, and thus CAS numbers and other limited information may not be available for release.

In no event shall TI's liability arising out of such information exceed the total purchase price of the TI part(s) at issue in this document sold by TI to Customer on an annual basis.

**TAPE AND REEL INFORMATION**

**QUADRANT ASSIGNMENTS FOR PIN 1 ORIENTATION IN TAPE**


\*All dimensions are nominal

Device	Package Type	Package Drawing	Pins	SPQ	Reel Diameter (mm)	Reel Width W1 (mm)	A0 (mm)	B0 (mm)	K0 (mm)	P1 (mm)	W (mm)	Pin1 Quadrant
SN74AUP1T34DCKR	SC70	DCK	5	3000	178.0	9.0	2.4	2.5	1.2	4.0	8.0	Q3
SN74AUP1T34DRYR	SON	DRY	6	5000	180.0	9.5	1.15	1.6	0.75	4.0	8.0	Q1
SN74AUP1T34DSFR	SON	DSF	6	5000	180.0	9.5	1.16	1.16	0.5	4.0	8.0	Q2

**TAPE AND REEL BOX DIMENSIONS**


\*All dimensions are nominal

Device	Package Type	Package Drawing	Pins	SPQ	Length (mm)	Width (mm)	Height (mm)
SN74AUP1T34DCKR	SC70	DCK	5	3000	180.0	180.0	18.0
SN74AUP1T34DRYR	SON	DRY	6	5000	184.0	184.0	19.0
SN74AUP1T34DSFR	SON	DSF	6	5000	184.0	184.0	19.0

DCK (R-PDSO-G5)

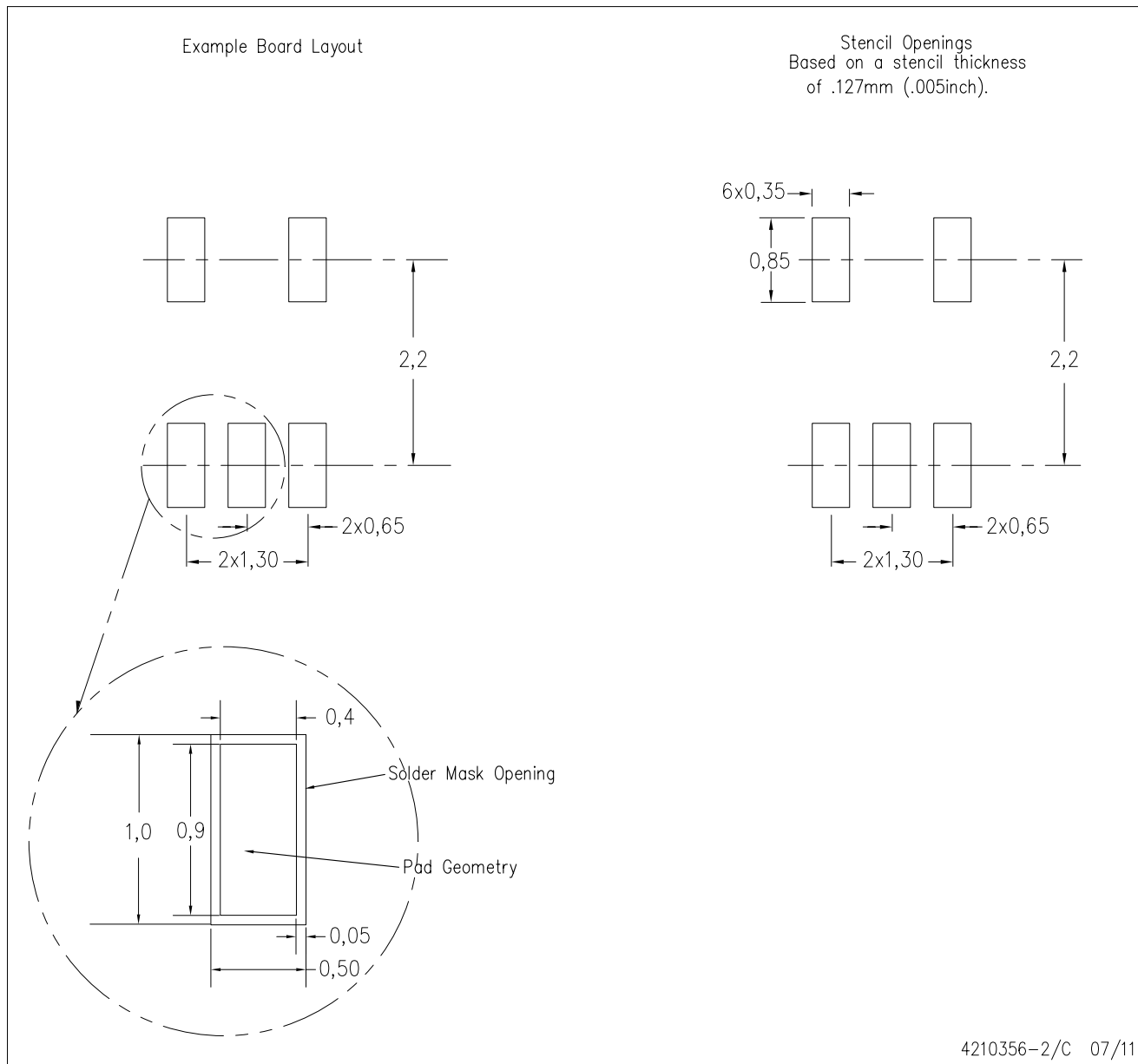
PLASTIC SMALL-OUTLINE PACKAGE



- NOTES:
- A. All linear dimensions are in millimeters.
  - B. This drawing is subject to change without notice.
  - C. Body dimensions do not include mold flash or protrusion. Mold flash and protrusion shall not exceed 0.15 per side.
  - D. Falls within JEDEC MO-203 variation AA.

DCK (R-PDSO-G5)

PLASTIC SMALL OUTLINE



- NOTES:
- All linear dimensions are in millimeters.
  - This drawing is subject to change without notice.
  - Customers should place a note on the circuit board fabrication drawing not to alter the center solder mask defined pad.
  - Publication IPC-7351 is recommended for alternate designs.
  - Laser cutting apertures with trapezoidal walls and also rounding corners will offer better paste release. Customers should contact their board assembly site for stencil design recommendations. Example stencil design based on a 50% volumetric metal load solder paste. Refer to IPC-7525 for other stencil recommendations.

## GENERIC PACKAGE VIEW

**DRY 6**

**USON - 0.6 mm max height**

PLASTIC SMALL OUTLINE - NO LEAD



Images above are just a representation of the package family, actual package may vary.  
Refer to the product data sheet for package details.

4207181/G

DRY0006A



# PACKAGE OUTLINE

USON - 0.6 mm max height

PLASTIC SMALL OUTLINE - NO LEAD



NOTES:

1. All linear dimensions are in millimeters. Any dimensions in parenthesis are for reference only. Dimensioning and tolerancing per ASME Y14.5M.
2. This drawing is subject to change without notice.

# EXAMPLE BOARD LAYOUT

DRY0006A

USON - 0.6 mm max height

PLASTIC SMALL OUTLINE - NO LEAD



**LAND PATTERN EXAMPLE**  
1:1 RATIO WITH PKG SOLDER PADS  
EXPOSED METAL SHOWN  
SCALE:40X



**SOLDER MASK DETAILS**

4222894/A 01/2018

NOTES: (continued)

3. For more information, see QFN/SON PCB application report in literature No. SLUA271 ([www.ti.com/lit/slua271](http://www.ti.com/lit/slua271)).



# EXAMPLE STENCIL DESIGN

DRY0006A

USON - 0.6 mm max height

PLASTIC SMALL OUTLINE - NO LEAD



SOLDER PASTE EXAMPLE  
BASED ON 0.075 - 0.1 mm THICK STENCIL  
SCALE:40X

4222894/A 01/2018

NOTES: (continued)

4. Laser cutting apertures with trapezoidal walls and rounded corners may offer better paste release. IPC-7525 may have alternate design recommendations.



**DSF0006A**

**PACKAGE OUTLINE**

**X2SON - 0.4 mm max height**

PLASTIC SMALL OUTLINE - NO LEAD



**NOTES:**

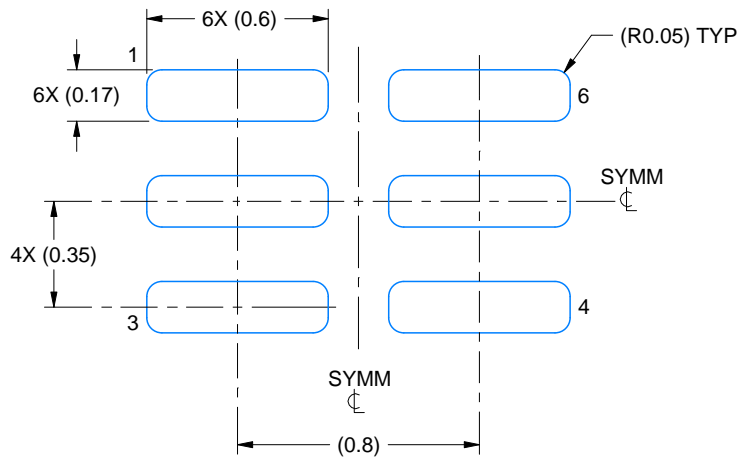
1. All linear dimensions are in millimeters. Any dimensions in parenthesis are for reference only. Dimensioning and tolerancing per ASME Y14.5M.
2. This drawing is subject to change without notice.
3. Reference JEDEC registration MO-287, variation X2AAF.

# EXAMPLE BOARD LAYOUT

DSF0006A

X2SON - 0.4 mm max height

PLASTIC SMALL OUTLINE - NO LEAD



LAND PATTERN EXAMPLE  
EXPOSED METAL SHOWN  
SCALE:40X



SOLDER MASK DETAILS

4220597/B 06/2022

NOTES: (continued)

4. For more information, see Texas Instruments literature number SLUA271 ([www.ti.com/lit/slua271](http://www.ti.com/lit/slua271)).

# EXAMPLE STENCIL DESIGN

DSF0006A

X2SON - 0.4 mm max height

PLASTIC SMALL OUTLINE - NO LEAD



SOLDER PASTE EXAMPLE  
BASED ON 0.09 mm THICK STENCIL

PRINTED SOLDER COVERAGE BY AREA UNDER PACKAGE  
SCALE:40X

4220597/B 06/2022

4. Laser cutting apertures with trapezoidal walls and rounded corners may offer better paste release. IPC-7525 may have alternate design recommendations.

## IMPORTANT NOTICE AND DISCLAIMER

TI PROVIDES TECHNICAL AND RELIABILITY DATA (INCLUDING DATA SHEETS), DESIGN RESOURCES (INCLUDING REFERENCE DESIGNS), APPLICATION OR OTHER DESIGN ADVICE, WEB TOOLS, SAFETY INFORMATION, AND OTHER RESOURCES "AS IS" AND WITH ALL FAULTS, AND DISCLAIMS ALL WARRANTIES, EXPRESS AND IMPLIED, INCLUDING WITHOUT LIMITATION ANY IMPLIED WARRANTIES OF MERCHANTABILITY, FITNESS FOR A PARTICULAR PURPOSE OR NON-INFRINGEMENT OF THIRD PARTY INTELLECTUAL PROPERTY RIGHTS.

These resources are intended for skilled developers designing with TI products. You are solely responsible for (1) selecting the appropriate TI products for your application, (2) designing, validating and testing your application, and (3) ensuring your application meets applicable standards, and any other safety, security, regulatory or other requirements.

These resources are subject to change without notice. TI grants you permission to use these resources only for development of an application that uses the TI products described in the resource. Other reproduction and display of these resources is prohibited. No license is granted to any other TI intellectual property right or to any third party intellectual property right. TI disclaims responsibility for, and you will fully indemnify TI and its representatives against, any claims, damages, costs, losses, and liabilities arising out of your use of these resources.

TI's products are provided subject to [TI's Terms of Sale](#) or other applicable terms available either on [ti.com](http://ti.com) or provided in conjunction with such TI products. TI's provision of these resources does not expand or otherwise alter TI's applicable warranties or warranty disclaimers for TI products.

TI objects to and rejects any additional or different terms you may have proposed.

Mailing Address: Texas Instruments, Post Office Box 655303, Dallas, Texas 75265  
Copyright © 2022, Texas Instruments Incorporated